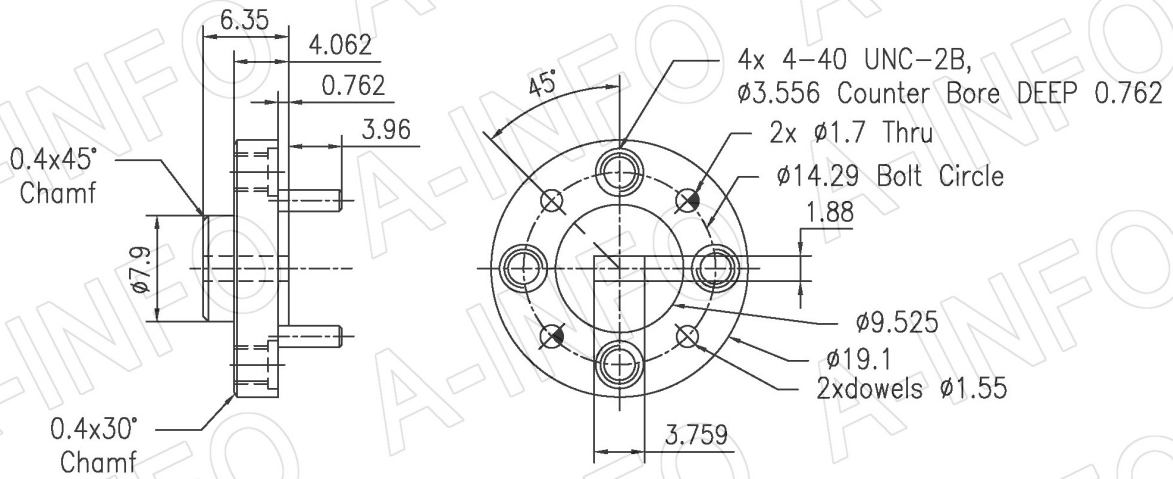


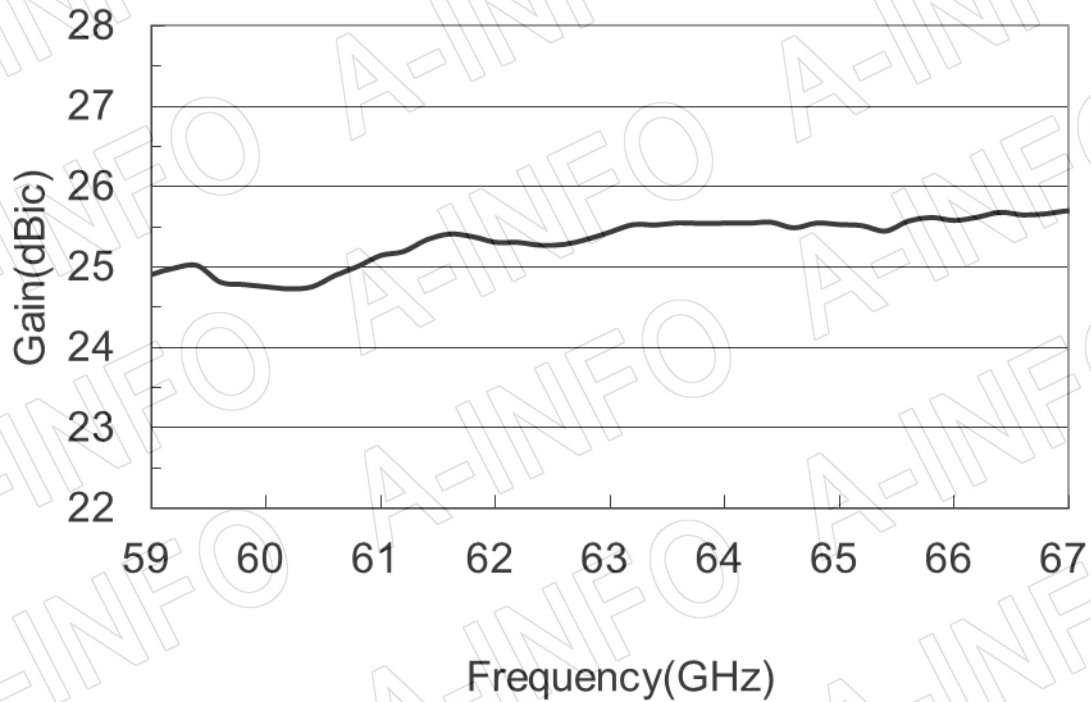
Flange Drawing (Size: mm)



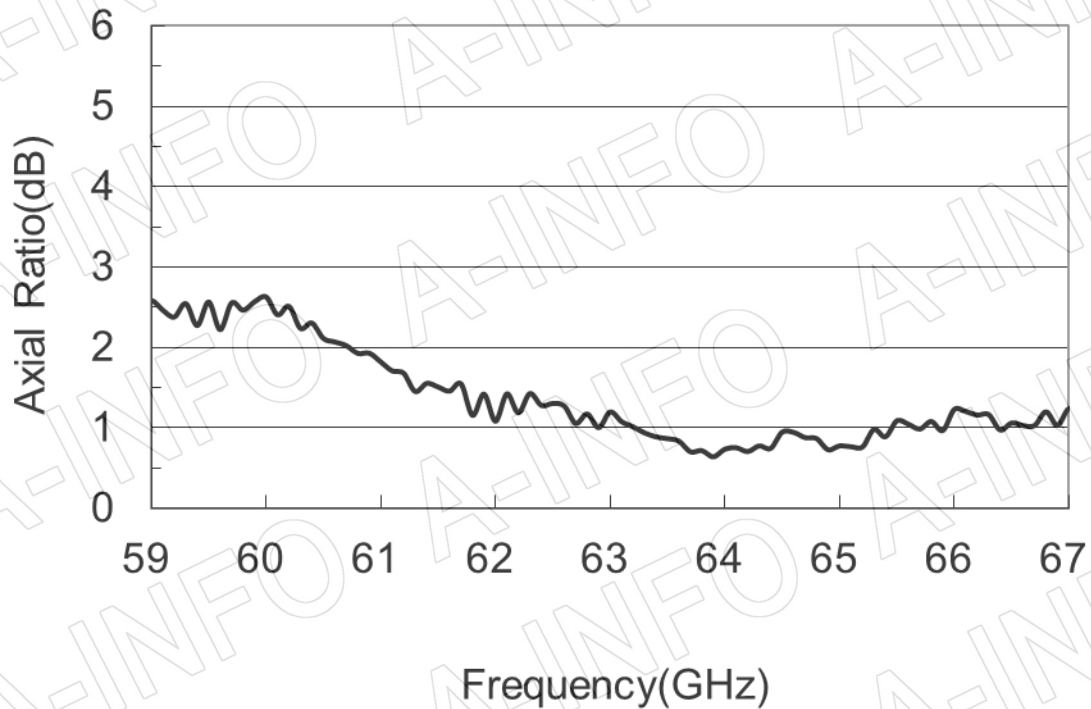
FUGP620
(equivalent to UG-385/U)

Test Results

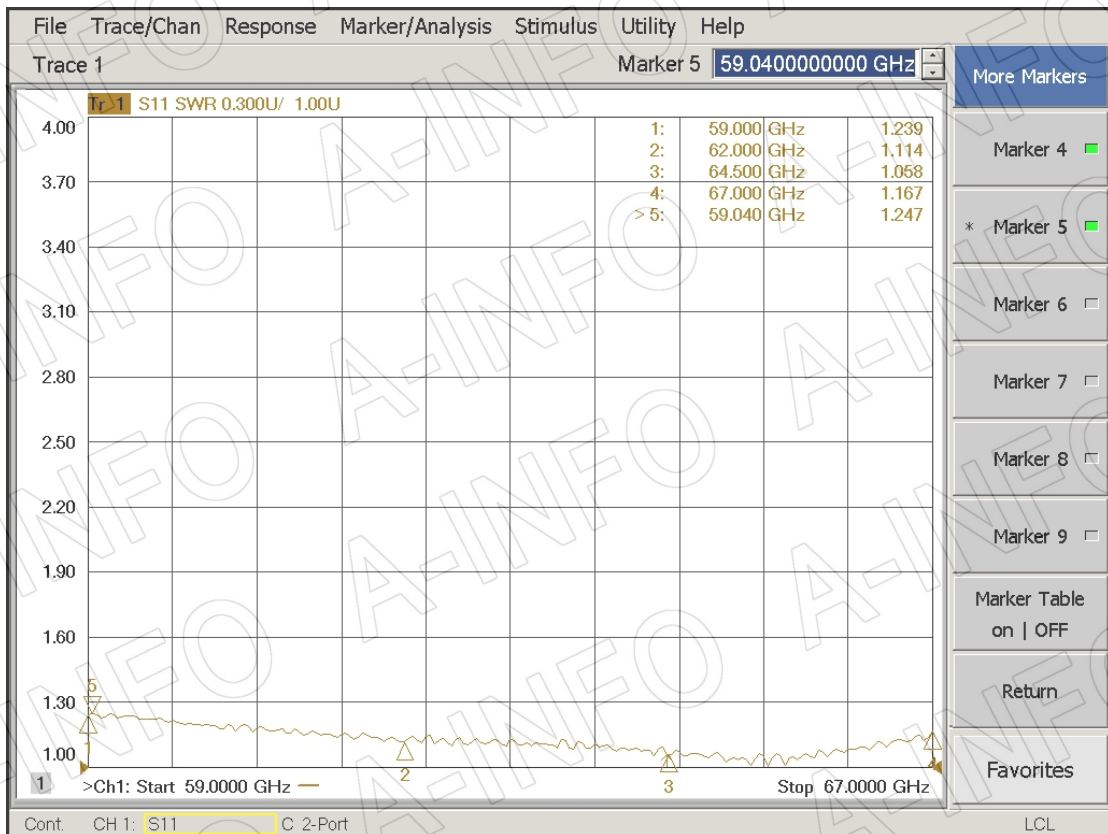
1. Gain



2. Axial Ratio



3. VSWR



4. Pattern

